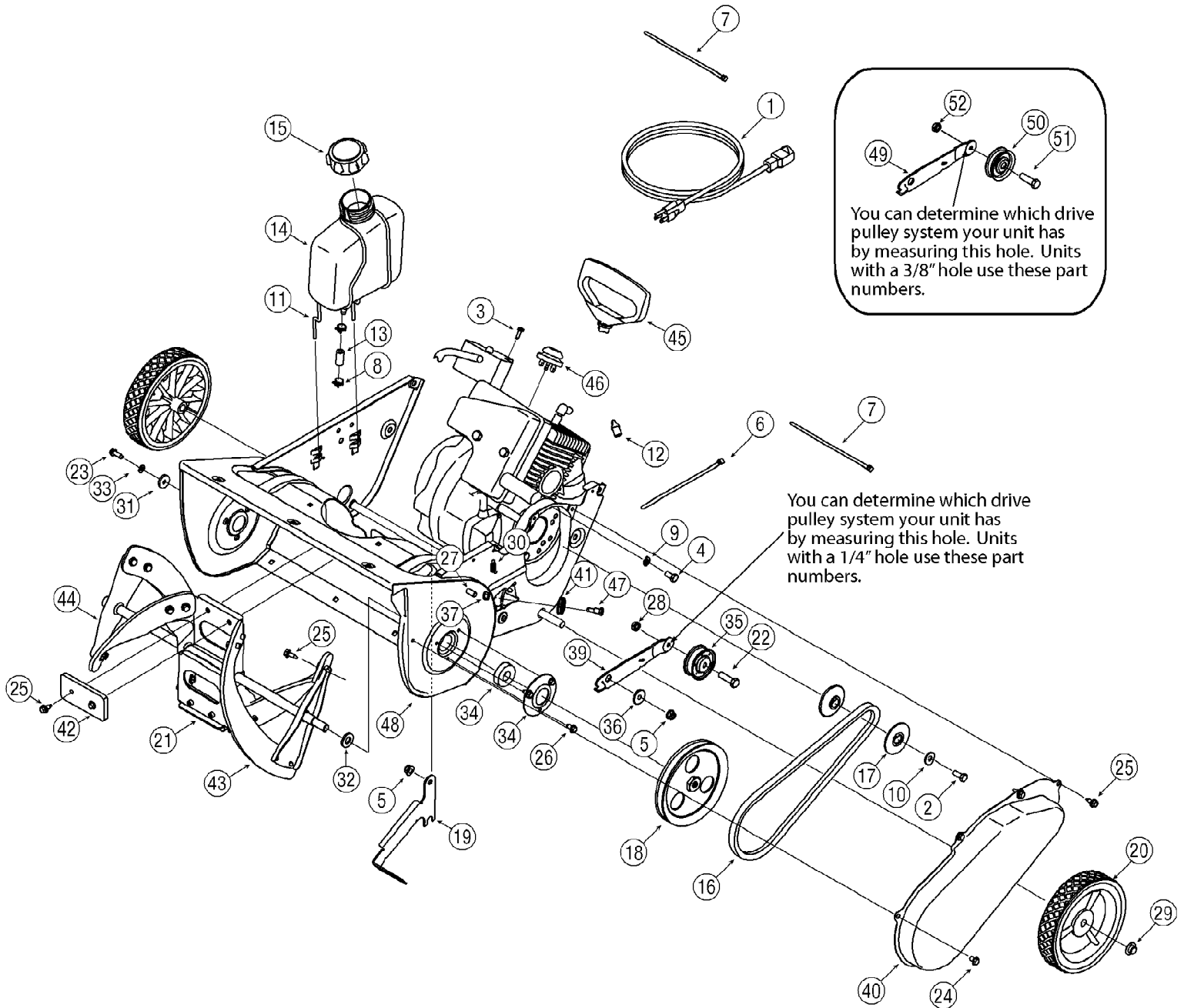


31AS235-790 SB-221 (2005-2)  
Chute Assembly

Page 2 of 4

Ref #	Part Number	Qty	S/P/F	Description
1	684-04127	1	S	Chute Assembly
2	710-04071	1		Carriage Bolt 5/16-18 x 1.0"
3	710-0451	1	/P	Carriage Bolt 5/16-18 x 0.750"
4	712-04063	6	/P	Flange Lock Nut, 5/16-18
5	720-0284	1	S	Chute Knob Assembly
6	731-04388A	1		Chute Handle
7	731-04426A	1	/P	Upper Chute
8	736-0159	1	S	Washer
9	710-0487	2	/P	Carriage Bolt 5/16-18 x 2.0 Gr. 1
10	720-0284	2	S	Handle Knob Assembly 5/16-18
11	725-0157	1	/P	Cable Tie
12	736-0451	2	S	Saddle Washer .320 x .93
13	747-04159	1	S	Bail, Gull Wing
14	749-04106	1	S	Upper Handle, Gull Wing
15	731-05321	1	S	Shroud Assembly 2 Cyc. 5.5hp.
16	710-04187	3	/P	Screw, 1/4-15 x .50
17	710-1003	5	/P	Self-tapping Screw, #10-16 x .625"
18	710-1882	2		Hex Flange Screw 5/16-18 x 1.50 Gr. 5
19	712-0252	1	/P	Hex Nut 5/8-32 x .12 Special
20	725-2018	1	S	Key Switch-Electric Start
21	736-0225	1	/P	Lock Washer Internal .625 x 1.058
22	736-0400	5	S	Flat Washer .194" x .62" x .063
23	732-0357A	1	S	Extension Spring
24	736-0362	2	/P	Flat Washer .330 x 1.25 x .06
25	710-0134	8	/P	Screw, 1/4-20 x .62
26	710-3008	1	/P	Truss Machine Screw, 5/16-18 x .75
27	712-04064	9	/P	Hex Flange Lock Nut, 1/4-20
28	731-1033	1	/P	Shave Plate, 19.88
29	736-0176	4	S	Flat Washer .265 x .938 x .120
30	746-04237	1		Control Cable
31	749-04114	1		Lower Handle
32	725-0201	2	S	Ignition Key
33	731-1133C	1	/P	Spark Plug Cover
34	731-04127	1	S	Lower Chute 5" Dia
35	731-04353	1	S	Ring-Lower Chute
36	731-04886	1	S	Chute, Adapter 5" Dia
37	732-04111	1	S	Chute Adjustment Spring



Ref #	Part Number	Qty	S/P/F	Description
1	629-0236	1	/P	Extension Cord
2	710-0627	1	/P	Hex Screw, 5/16-24 x .75
3	710-1003	2	/P	Screw, #10-16 x .625
4	710-3025	4	/P	Hex Screw, 5/16-18 x .625
5	712-04063	2	/P	Hex Flange Lock Nut, 5 1/16-18
6	725-0157	1	/P	Push Mount Cable Tie
7	726-0154	1	S	Push Mount Cable Tie
8	726-0205	2	/P	Clamp, Hose
9	736-0119	4	S	Washer, Lock 5/16
10	736-0159	1	S	Flat Washer .349 x .879 x .063
11	747-04150	1		Gas Tank Support Wire
12	7511825510	1	S	Choke Lever Knob
13	751-0535	18		Hose, Fuel Line
14	751-10023	1	S	Tank, Fuel
15	751-10049	1		Cap, Fuel
16	754-0101A	1	S	V-Belt, 1/2
17	756-0416B	2	S	Pulley Half, .625 ID x 2.25 OD
18	756-0475	1	/P	Pulley, 1/2 V 1/2-20 LH x 6.0
19	790-00225	1	S	2-Cycle Mounting Bracket
20	734-04070	2	/P	Wheel, 7 x 1.61 Dia. Tread
21	684-04027A	1	S	Auger Assembly Complete
22	710-0106	1	/P	Hex Screw, 1/4-20 x 1.00 Gr.5
23	710-0642	1	/P	Hex Screw 1/4-20 x .75 Gr. 5
24	710-0653	1	/P	Self-tapping Screw 1/4-20 x x 3.75
25	710-0896	24	/P	Hex Screw, 1/4-14 x 0.625"
26	710-1005	6	S	Self-tapping Screw, 1/4-14 x .50
27	710-3008	1	/P	Hex Screw 5/16-18 x .75
28	712-04064	1	/P	Hex Flange Lock Nut, 1/4-20
29	726-0299	2	/P	Push Cap, 1/2"
30	732-0357A	1	S	Extension Spring
31	736-0176	4	S	Flat Washer .265 x .938 x.120
32	736-0326	1	S	Flat Washer .510 x 1.0 x1.25
33	736-0329	1	S	Lock Washer, 1/4
34	741-0600	2	S	Ball Bearing 17 x 40 x 12
35	684-04168	1		Idler Pulley (Pulley hole 1/4")
36	748-0234	1	/P	Shoulder Spacer .25
37	712-0896	1		Hex Lock Nut 1/4-28
38	784-5174	2	S	Bearing Cup
39	790-00238A	1	S	Idler Brkt. w/Brake (Pulley hole 1/4")
40	790-00045	1		Belt Cover
41	756-0625	1		Cable Roller
42	735-04033	2		Rubber Paddle
43	735-04032	4		Crescent Spiral
44	684-04025A	1	S	Auger Axle
45	7510009636	1	/P	Recoil Handle, Mitten
46	7512B1476	1	S	Primer
47	738-0924	1	S	Carriage Screw 1/4-28
48	684-04167	1		Auger Assembly Housing 21"
49	790-00238	1	S	Idler Brkt. w/ Brake (Pulley hole 38")
50	756-0313	1	/P	Idler Pulley (3/8" hole)
51	710-0191	1	/P	Hex Screw 3/8-24 x 1.25
52	712-0116	1	S	Jam Lock Nut 3/8--24